

DF2050 Series

Duplex Filters

Max. 1000 l/min. 30 bar



Heavy duty performance

High dirt holding capacity yet low pressure drop. Heavy duty cast iron housing and same elements as in DF2035 means safety and continuity in your applications. Maximum flow rate up to 1000 l/min. DN80 PN 25 connection.



Contact Information:

Parker Hannifin
Hydraulic Filter Division Europe

**European Product
Information Centre**
Freephone: 00800 27 27 5374
(from AT, BE, CH, CZ, DE, EE, ES,
FI, FR, IE, IT, PT, SE, SK, UK)
filtrationinfo@parker.com

www.parker.com/hfde

Applications:

- Marine gear lubricating systems
- Propulsion systems
- Diesel engine lubricating systems
- Heavy fuel oil safety filter

Specification

Duplex filter:

One reservoir can be closed for service, vertical installation. Length 2 includes 2 elements/side and length 3 includes 3 elements/side.

Connections:

Standard flange size DN80/PN25. Delivered without counter flanges.

Maximum operating pressure:

30 bar

Seal material:

Fluoroelastomer

Operating temperature:

-20°C...+100°C with elements with Nitrile seals,
-20°C...+160°C with metal mesh elements and Fluoroelastomer seals.

Housing material:

Cast iron (GJS)

Weight:

Length 2: 200 kg

Length 3: 240 kg

Nominal flow rate (30 cSt):

Length 2: 900 l/min (54 m³/h)

Length 3: 1000 l/min (60 m³/h)

Bypass valve:

Standard with blocked bypass. Optional opening pressure 1.7 bar

Indicator options:

Visual, electrical or electronic indicator requires an indicator block. For details see indicator options table in product description page and catalogue section 4.

Filtration materials:

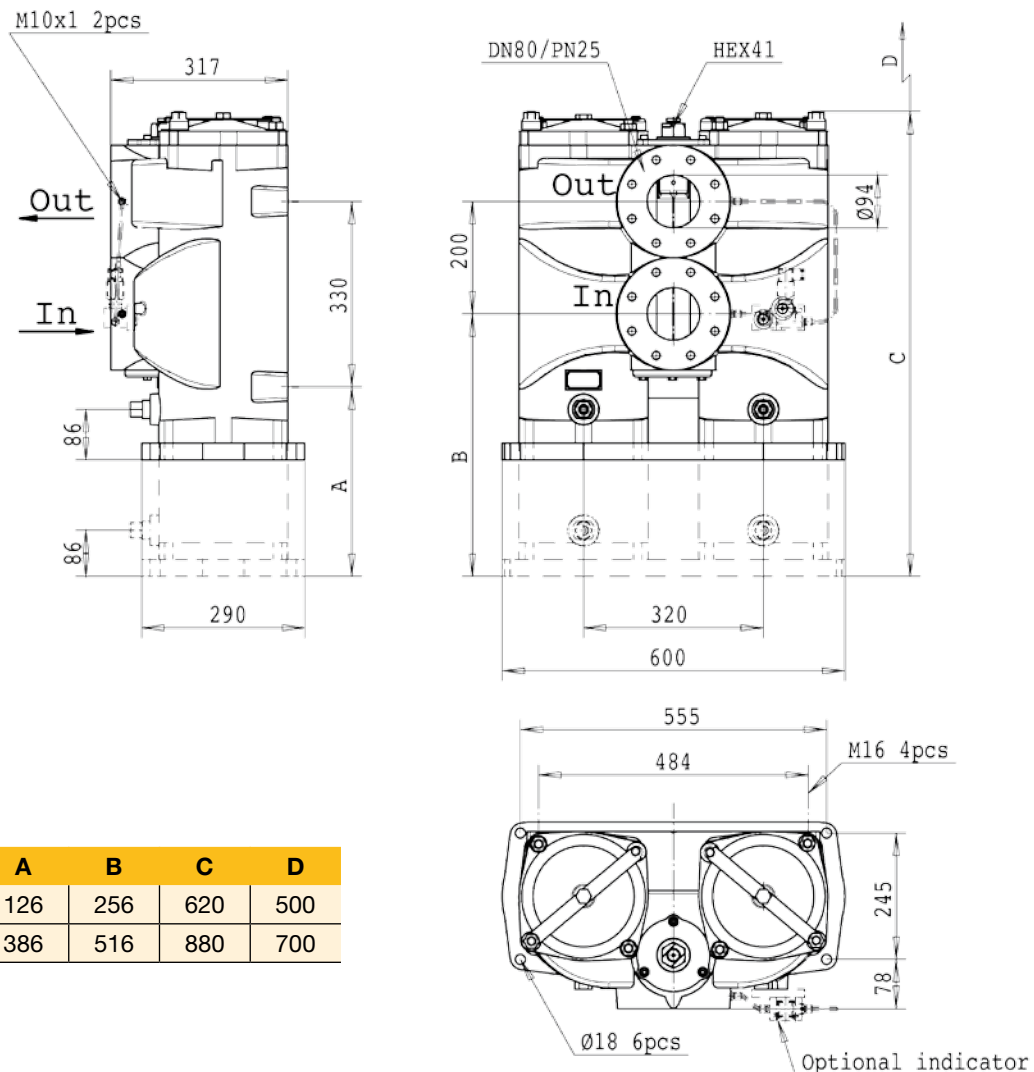
- Resin impregnated heavy duty cellulose paper 15µm nominal
- Glassfibre Microglass III
- Cleanable metal mesh

Secondary filter:

- Filtration material cleanable wire mesh
- Filtration degree 60 µm

Fluid compatibility:

Suitable for use with regular hydraulic and lubrication oils and fuel oils. For heavy fuel oil applications, please specify option P2 (see table 8 in product description) which ensures that filters are delivered with documentation according PED 97/23/EC category II. For other fluids consult Parker Filtration.



Type	A	B	C	D
Length 2	126	256	620	500
Length 3	386	516	880	700

DF2050 Series

Pressure Drop Curves

$$\Delta p_{\text{total}} = \Delta p_{\text{housing}} + \Delta p_{\text{element}}$$

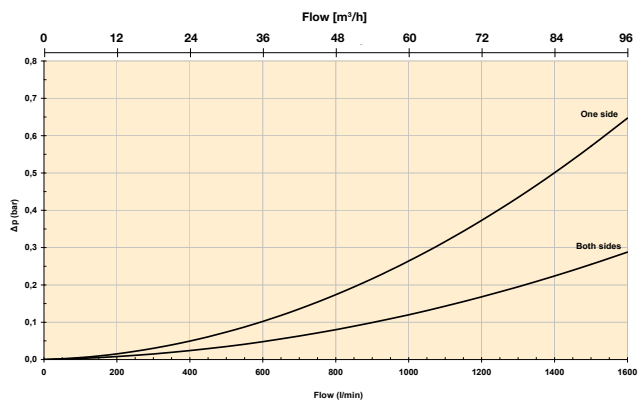
The recommended level of the initial pressure drop for this filter is maximum 0.5 bar.

Δp -curves are measured at 30 cSt.

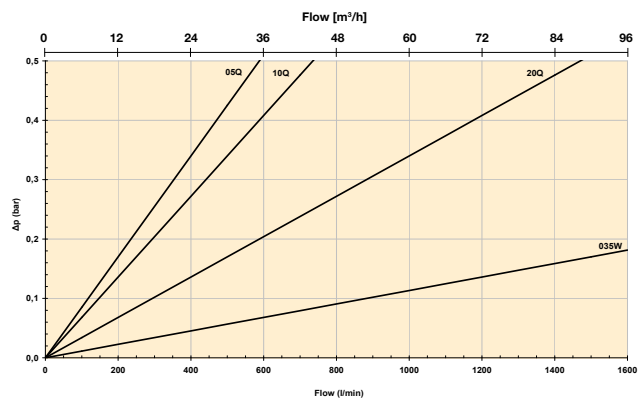
If the medium used has a viscosity different from 30 cSt, pressure drop over the element can be estimated as follows:

$$\Delta p_{\text{total}} = \Delta p_{\text{housing}} + \Delta p_{\text{element}} \times \frac{\text{working viscosity}}{30 \text{ cSt}}$$

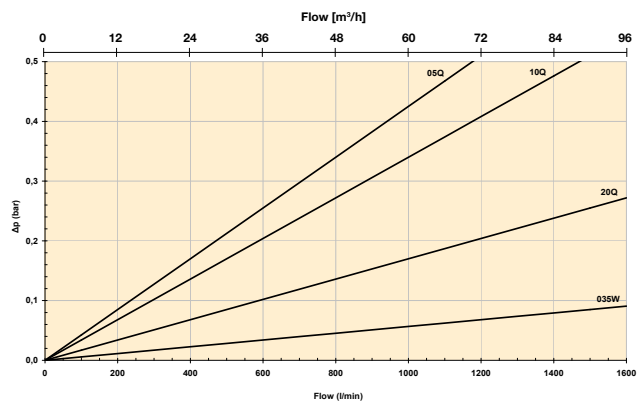
DF2050 housing



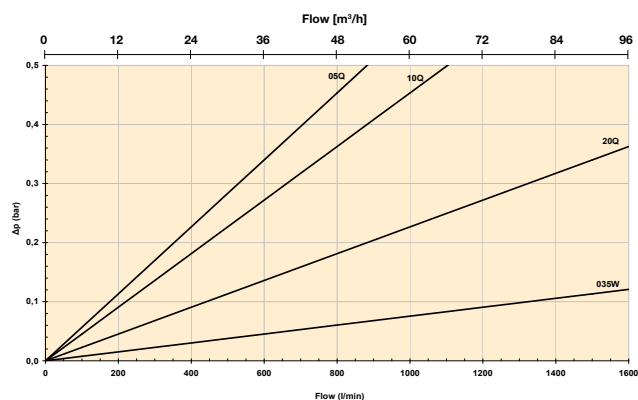
Length 2 element pack/one side



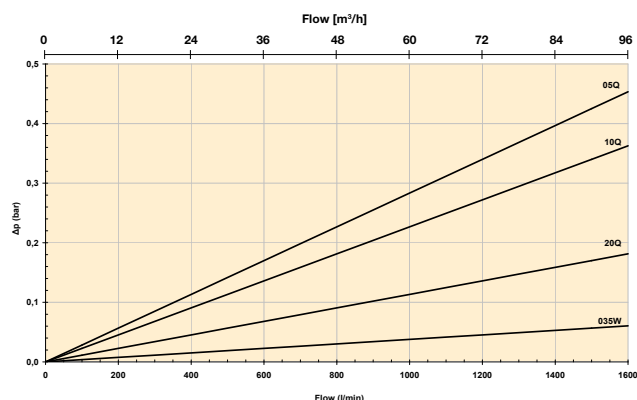
Length 2 element pack/both side



Length 3 element pack/one side



Length 3 element pack/both sides



Product Description for DF2050

Complete Filter:

Table 1	Table 2	Table 3	Table 4	Table 5	Table 6	Table 7	Table 8

Table 1

FILTER TYPE	
Model	CODE
Duplex filter	DF2050

Table 2

FILTER SIZE	
Length/elements	CODE
2 elements/side	2
3 elements/side	3

Table 3

DEGREE OF FILTRATION	
Element type	CODE
Microglass III	
Glassfibre 5 µm	05Q
Glassfibre 10 µm	10Q
Glassfibre 20 µm	20Q
Other medias	
Cellulose 15 µm (nom)	015N
Cleanable metal mesh 35 µm	035W
Cleanable metal mesh 60 µm	060W

Table 4

SEAL TYPE	
Seal material	CODE
Fluoroelastomer	V

Table 5

INDICATORS	
Options	CODE
No indicator block	N
Indicator port plugged	P
Visual indicator	M3
Electrical indicator	T1
Electronic indicator (PNP/N.O.)	F1
Electronic indicator (NPN/N.O.)	F2

Table 6

BYPASS VALVE	
Bypass/indicator setting	CODE
1.7 bar/1.2 bar (select in table 8)	G
No/1.5 bar (select 2 in table 8)	H
No/No (select 2 in table 8)	X

Table 7

FILTER CONNECTIONS	
Port size	CODE
Flange DN80	D80

Table 8

OPTIONS	
Options	CODE
With bypass	1
No bypass	2
PED category 2	P2

If several options are selected, please add the codes in order listed above.

REPLACEMENT ELEMENTS	
Media code / Seal type	Order code
Glassfibre	Microglass III
05Q / Nitrile	939401Q
10Q / Nitrile	939402Q
20Q / Nitrile	939403Q
Cellulose 15 µm (nom)	
015N / Nitrile	939404
Cleanable metal mesh	
035W / Fluoroelastomer	939405
060W / Fluoroelastomer	939406

SPARE PARTS	
Secondary filter element (60 µm)	CODE
Length 2	939416
Length 3	939417
Seal kit	CODE
Seal material	
Fluoroelastomer	916045076

Please note the bolded options reflect standard options with reduced lead-time.